

Materials Services
Infrastructure

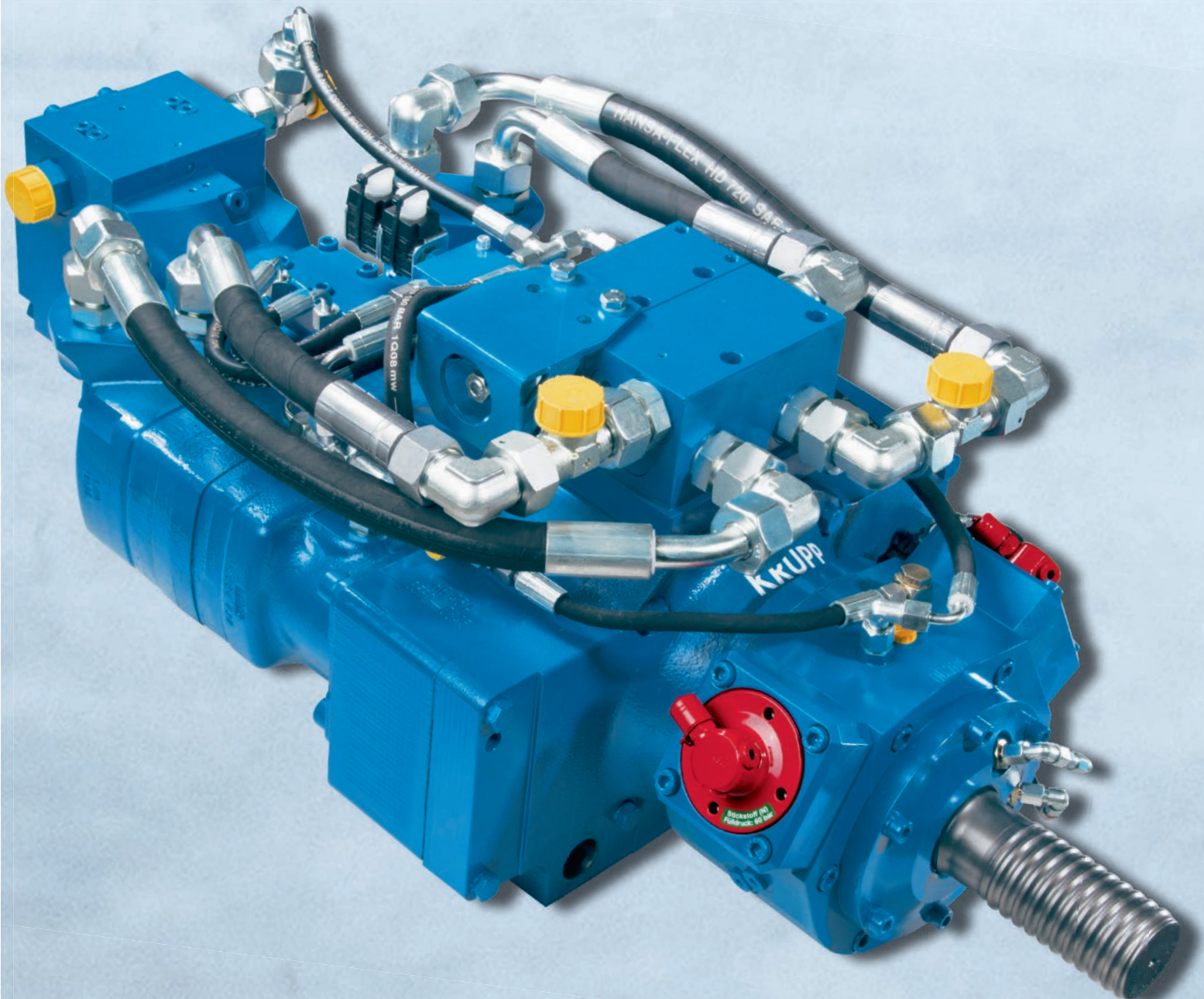
thyssenkrupp Infrastructure GmbH
Alte Liederbacher Str. 6
36304 Alsfeld, Germany
P: +49 6631 781-0
F: +49 6631 781-113
machinery.tkinfrastructure@thyssenkrupp.com
www.thyssenkrupp-infrastructure.com

Materials Services
Infrastructure

KRUPP Drifter HB45.

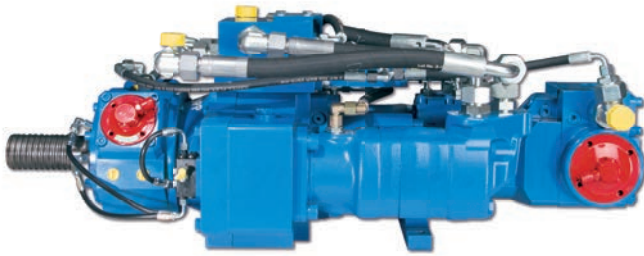


thyssenkrupp



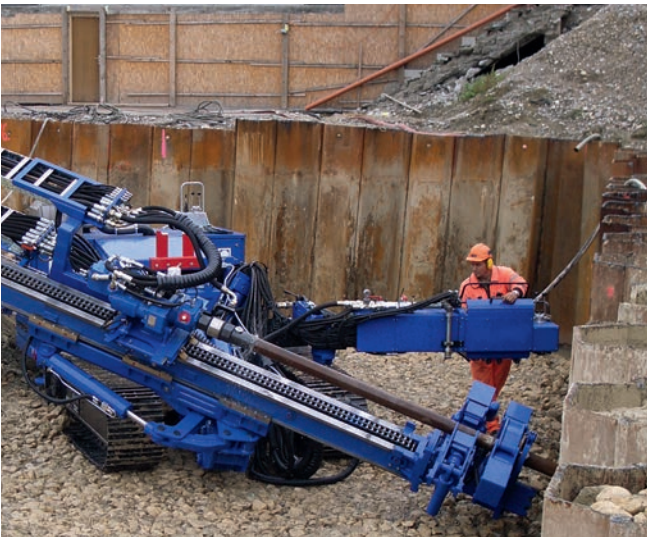
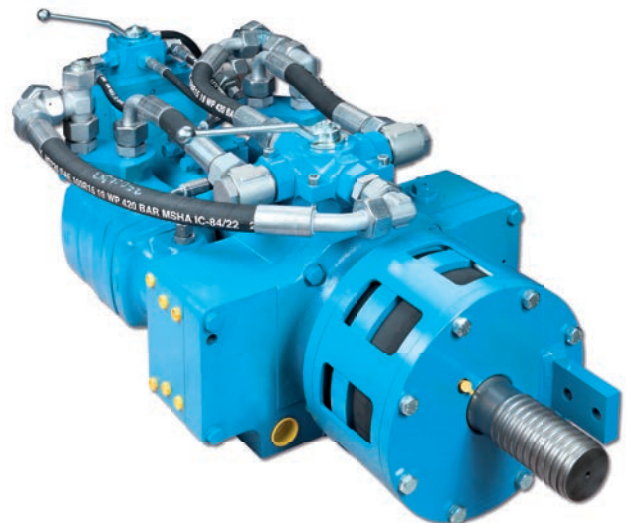
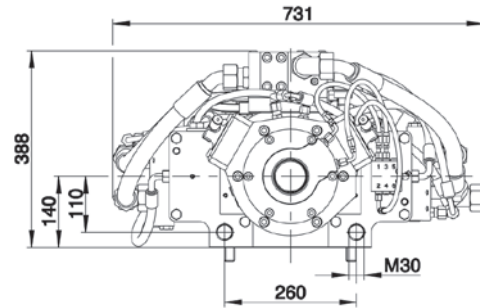
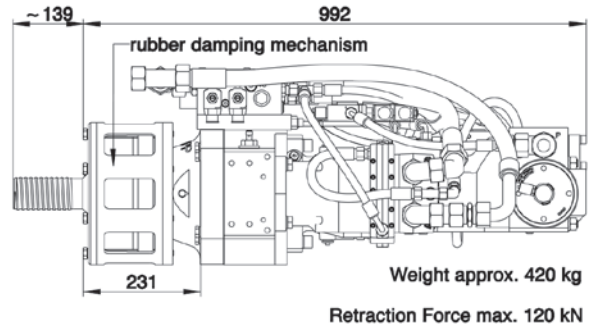
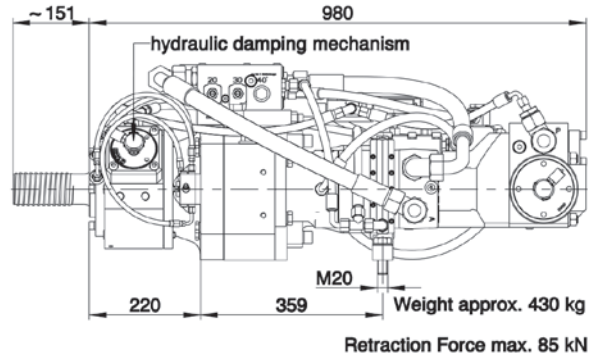
KRUPP Drifter HB45

Compact design – the ideal drifter (hammer drill) for mid-size drill rigs and excavator mounted drill masts.



- Especially developed for overburden drilling, drive drilling, threaded self-drilling anchors and micropiles.
- Casing diameter up to 133 mm (5 inch) and threaded hollow bars up to a diameter of 73 mm (3 inch).
- The standard built-in rubber damping mechanism improves retraction of casings and rods and avoids blank impacts.
- Optional: electric, hydraulic or manual changeover for the rotary drive speed and for the frequency of the percussion mechanism.
- Options: hydraulic operated damping mechanism, external flushing head, central lubrication system and integrated RPM sensor.

Main Dimensions



Rotary Drives

Motor-Version 670 ccm (single-speed)																	
Pressure at rotary drive		70 bar				140 bar				170 bar				205 bar			
Gear		2 nd		1 st		2 nd		1 st		2 nd		1 st		2 nd		1 st	
Oil flow rate (lpm)	90	Torque (Nm)	1,500	3,200	3,200	6,400	4,000	8,100	4,800	9,700							
		Speed (rpm)	56	27	55	26	53	25	52	24							
	150	Torque (Nm)	1,500	3,100	3,100	6,400	3,900	8,000		9,600							
		Speed (rpm)	95	47	93	45	92	44		43							
	170	Torque (Nm)	1,500	3,100	3,100	6,400	3,900	8,000		9,600							
		Speed (rpm)	107	52	105	51	104	52		48							

1st gear (parallel mode), 2nd gear (serial mode)

■ Intermittend mode (max. 10% per minute)

Motor-Version HP677 ccm (single-speed)																	
Pressure at rotary drive		140 bar				200 bar				240 bar				280 bar			
Gear		2 nd		1 st		2 nd		1 st		2 nd		1 st		2 nd		1 st	
Oil flow rate (lpm)	90	Torque (Nm)	2,900	6,300	4,400	9,400	5,300	11,100	6,200	13,000							
		Speed (rpm)	60	30	60	30	60	30	60	30							
	150	Torque (Nm)	2,400	5,900	3,900	9,000	4,800	10,700	5,700	12,600							
		Speed (rpm)	100	50	100	50	100	50	100	50							
	170	Torque (Nm)	2,200	5,700	3,700	8,800	4,600	10,500	5,500	12,400							
		Speed (rpm)	114	57	114	57	114	57	114	57							

1st gear (parallel mode), 2nd gear (serial mode)

Motor-Version HP677 ccm (2-speed) (standard)																		
Pressure at rotary drive		140 bar				200 bar				240 bar				280 bar				
Gear		4 th	3 rd	2 nd	1 st	4 th	3 rd	2 nd	1 st	4 th	3 rd	2 nd	1 st	4 th	3 rd	2 nd	1 st	
Oil flow rate (lpm)	90	Torque (Nm)	1,800	2,900	4,100	6,300	2,800	4,400	6,200	9,400	3,400	5,300	7,300	11,100	4,000	6,200	8,600	13,000
		Speed (rpm)	90	60	45	30	90	60	45	30	90	60	45	30	90	60	45	30
	150	Torque (Nm)	1,200	2,400	3,800	5,900	2,300	3,900	5,900	9,000	2,800	4,800	7,000	10,700	3,500	5,700	8,300	12,600
		Speed (rpm)	150	100	75	50	150	100	75	50	150	100	75	50	150	100	75	50
	170	Torque (Nm)	1,000	2,200	3,700	5,700	2,100	3,700	5,700	8,800	2,600	4,600	6,800	10,500	3,200	5,500	8,100	12,400
		Speed (rpm)	170	114	85	57	170	114	85	57	170	114	85	57	170	114	85	57

1st gear (parallel mode), 2nd gear (parallel + 2-speed mode), 3rd gear (serial mode), 4th gear (serial + 2-speed mode)

Motor-Version HP940 ccm (2-speed)																		
Pressure at rotary drive		140 bar				170 bar				200 bar				240 bar				
Gear		4 th	3 rd	2 nd	1 st	4 th	3 rd	2 nd	1 st	4 th	3 rd	2 nd	1 st	4 th	3 rd	2 nd	1 st	
Oil flow rate (lpm)	90	Torque (Nm)	2,600	4,200	6,000	9,200	3,300	5,200	7,400	11,300	4,100	6,500	9,000	13,700	4,900	7,700	10,600	16,200
		Speed (rpm)	62	41	31	21	62	41	31	21	62	41	31	21	62	41	31	21
	150	Torque (Nm)	1,800	3,500	5,600	8,700	2,500	4,500	7,000	10,800	3,300	5,800	8,600	13,200	4,100	7,000	10,200	15,700
		Speed (rpm)	103	68	51	34	103	68	51	34	103	68	51	34	103	68	51	34
	170	Torque (Nm)	1,500	3,200	5,400	8,400	2,200	4,200	6,800	10,500	3,000	5,500	8,400	12,900	3,800	6,700	10,000	15,400
		Speed (rpm)	116	78	58	39	116	78	58	39	116	78	58	39	116	78	58	39

1st gear (parallel mode), 2nd gear (parallel + 2-speed mode), 3rd gear (serial mode), 4th gear (serial + 2-speed mode)

Other motor versions are available

Percussion Unit

Operating pressure (kp/cm ²)	180 - 200 bar
Oil flow rate (l/min)	70 - 90 lpm
Impact rate (min ⁻¹)	1,200 / 1,800 / 2,500 bpm
Single impact energy (Joule)	590 / 400 / 340 Nm

Shank Adaptors (Striker Bars)

Male thread	R55 (H55) left, R55 (H55) right
	C64 left, C64 right (standard)
Other shank adaptors (striker bars) are available	