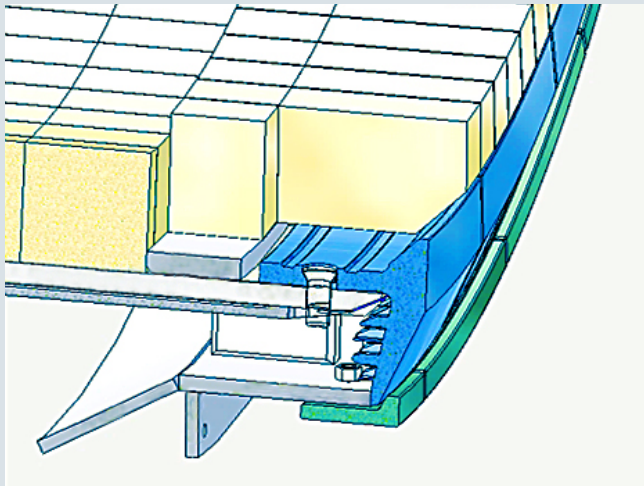


polysius[®] kiln outlet segment



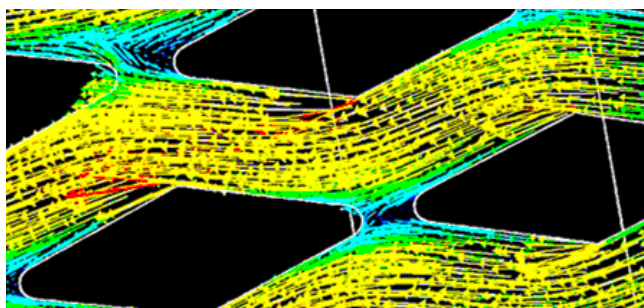
Thanks to its improved design, the new protective segment is located below the kiln refractory lining. Direct contact between the segment and clinker discharged from the kiln is avoided.



In the case of thyssenkrupp kilns, the new protective segment can be used to replace the original component.

Optimise wear and service life thanks to our new protective segment

The protective segment at the kiln outlet separates the kiln process from the surrounding. The aim is to provide a seal against false air, with the highest process reliability and availability. In the case of thyssenkrupp kilns, the new polysius[®] kiln outlet segment can be retrofitted without modifications.



The patented cooling concept considerably reduces the temperatures in the segment. This results in a longer service life, due to lower wear.

Components and description of functioning

The kiln outlet segment (protective segment) seals the kiln process from the surrounding. At the same time, it forms the end of the kiln refractory lining at the kiln outlet. Due to the slope of the end edge on the segment, the refractory bricks are held in position.

Thanks to the improved design, the new kiln outlet segment is located below the kiln refractory lining, which means that clinker discharged from the kiln no longer comes into contact with the segment. As a result, abrasive wear at the segment is avoided. At the same time, heat input into the segment is reduced.

The optimised and patented cooling concept significantly reduces the temperatures in the segment. The result is a decrease in oxidation wear and a significant increase in material strength in the highly thermally loaded area.

The new kiln outlet segment achieves a longer service life at an attractive price.

Your service advantages

- Significant decrease in oxidation wear
- Increase in material strength
- Refractory bricks serve as wear protection and can be replaced without removal of the segments
- In the case of thyssenkrupp kilns, the new protective segment can be used to replace the original component
- Rapid amortisation