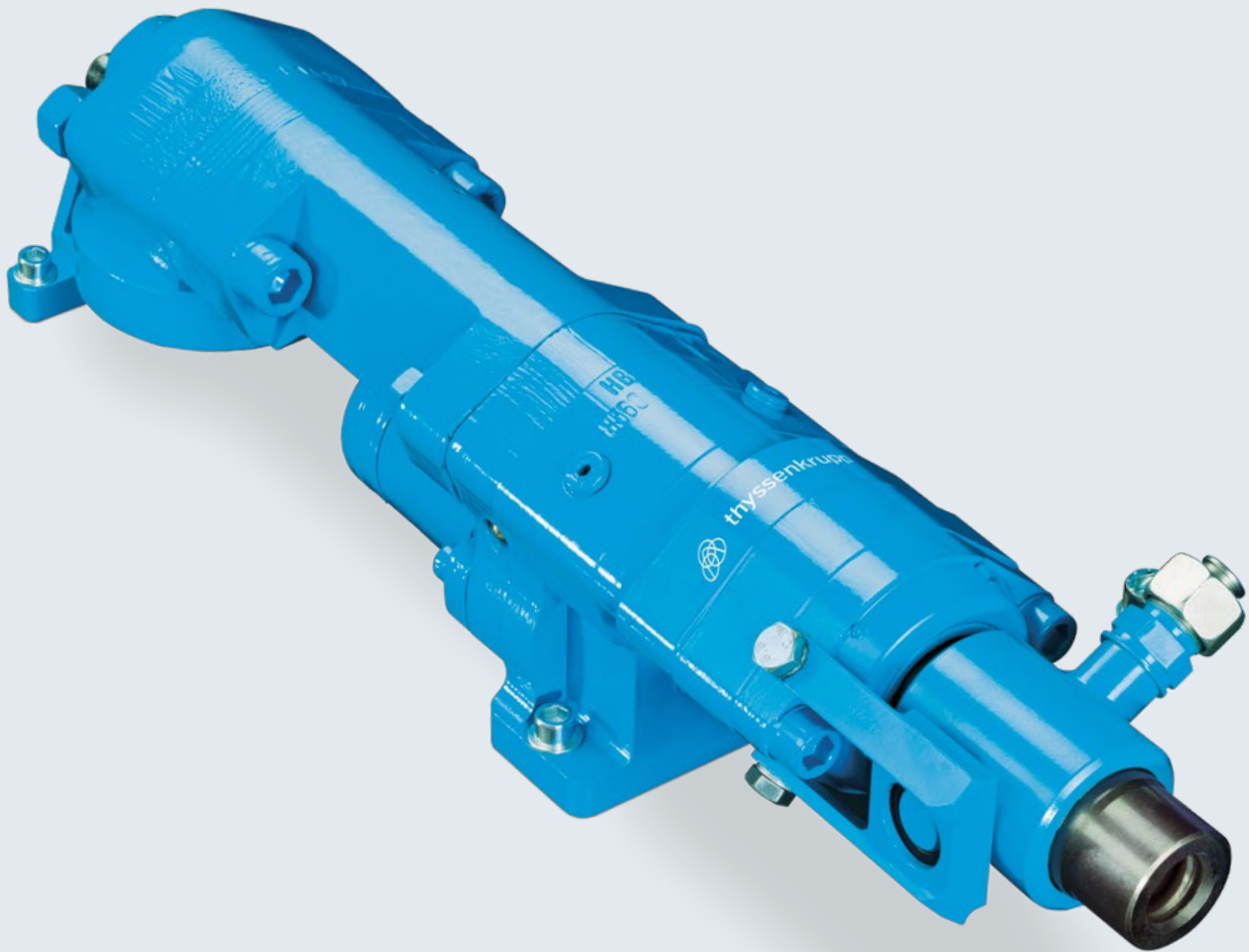


Materials Services
Infrastructure

Drifter HB5



thyssenkrupp



Drifter HB5

HB5 is a small-size Drifter (top-hammer) especially developed for:

- Micropile drilling up to a casing diameter of 3 inch (ø76 mm)
- Threaded hollow bar drilling (self-drilling anchors) up to a bar diameter of 1.5 inch (ø40 mm)
- Blast hole drilling up to a hole diameter of 2 inch (ø50 mm)

HB5 has a standard built-in hydraulic damping mechanism to avoid blank impacts and to allow percussion during retraction of casings.

HB5 offers a version without hydraulic damping mechanism, mainly for the use in quarries.

HB5 offers 4 different motors (75 ccm, 100 ccm, 160 ccm, 370 ccm).

Percussion Unit

Operating pressure (kp/cm ²)	160 - 180 bar
Oil flow rate (l/min)	50 - 60 lpm
Impact rate (min ⁻¹)	(50 Hz) 3,000 bpm
Single impact energy (Joule)	140 Nm

Shank Adaptors (Striker Bars)

Male thread	R25 left R32 left R38 left
Female thread	R25 left R32 left R38 left T38 left
	Titan 30/11 left 40/16 left

Options

- external flushing head for casings and self-drilling hollow bars
- integrated flushing through extended shank adaptor (striker bar)
- drifter version without hydraulic damping mechanism available

Rotary Drives

Motor-Version 75 ccm																	
Pressure at rotary drive		100 bar				130 bar				155 bar			165 bar				
Gear					1 st				1 st				1 st				1 st
Oil flow rate (lpm)	30	Torque (Nm)			100				130				150				160
		Speed (rpm)			362				350				338				325
	45	Torque (Nm)			100				130				150				160
		Speed (rpm)			543				526				506				488
	57	Torque (Nm)			100				130				150				160
		Speed (rpm)			888				666				642				615

1st gear ■ Intermittend mode (max. 10% per minute)

Motor-Version 100 ccm																	
Pressure at rotary drive		70 bar				100 bar				130 bar			155 bar				
Gear					1 st				1 st				1 st				1 st
Oil flow rate (lpm)	30	Torque (Nm)			90				130				170				200
		Speed (rpm)			289				280				271				261
	45	Torque (Nm)			90				130				170				200
		Speed (rpm)			434				420				406				392
	57	Torque (Nm)			90				130				170				200
		Speed (rpm)			550				532				515				496

1st gear ■ Intermittend mode (max. 10% per minute)

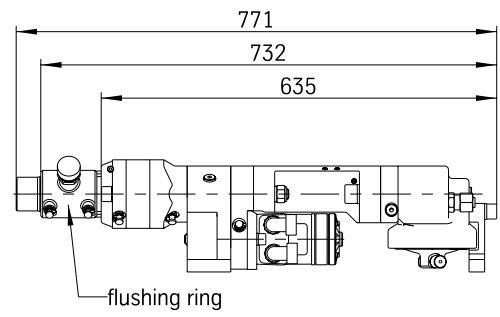
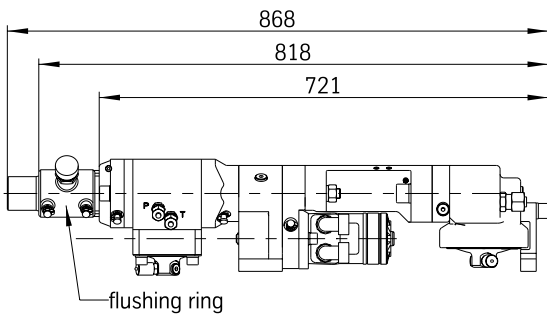
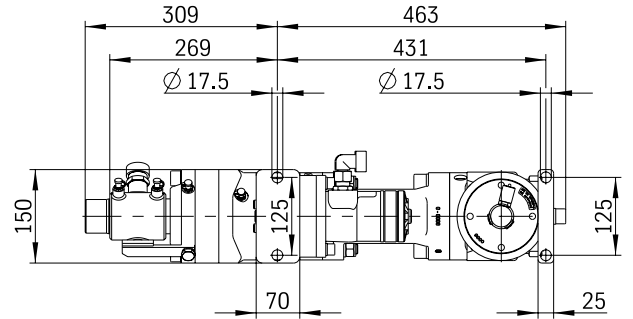
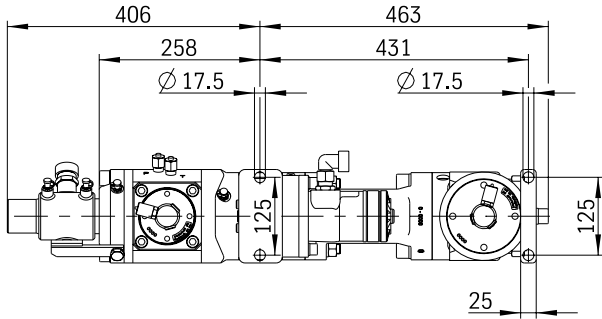
Motor-Version 160 ccm																	
Pressure at rotary drive		70 bar				100 bar				130 bar			155 bar				
Gear					1 st				1 st				1 st				1 st
Oil flow rate (lpm)	30	Torque (Nm)			150				210				270				320
		Speed (rpm)			176				170				164				158
	45	Torque (Nm)			150				210				270				320
		Speed (rpm)			263				255				246				237
	57	Torque (Nm)			150				210				270				320
		Speed (rpm)			333				323				312				301

1st gear ■ Intermittend mode (max. 10% per minute)

Motor-Version 370 ccm																	
Pressure at rotary drive		30 bar				40 bar				70 bar			100 bar				
Gear					1 st				1 st				1 st				1 st
Oil flow rate (lpm)	30	Torque (Nm)			150				190				330				480
		Speed (rpm)			81				78				78				78
	45	Torque (Nm)			150				190				330				480
		Speed (rpm)			122				118				118				118
	57	Torque (Nm)			150				190				330				480
		Speed (rpm)			154				149				149				149

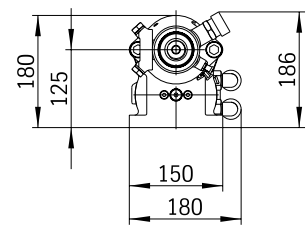
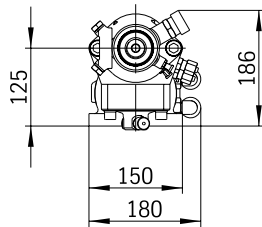
1st gear ■ Intermittend mode (max. 10% per minute)

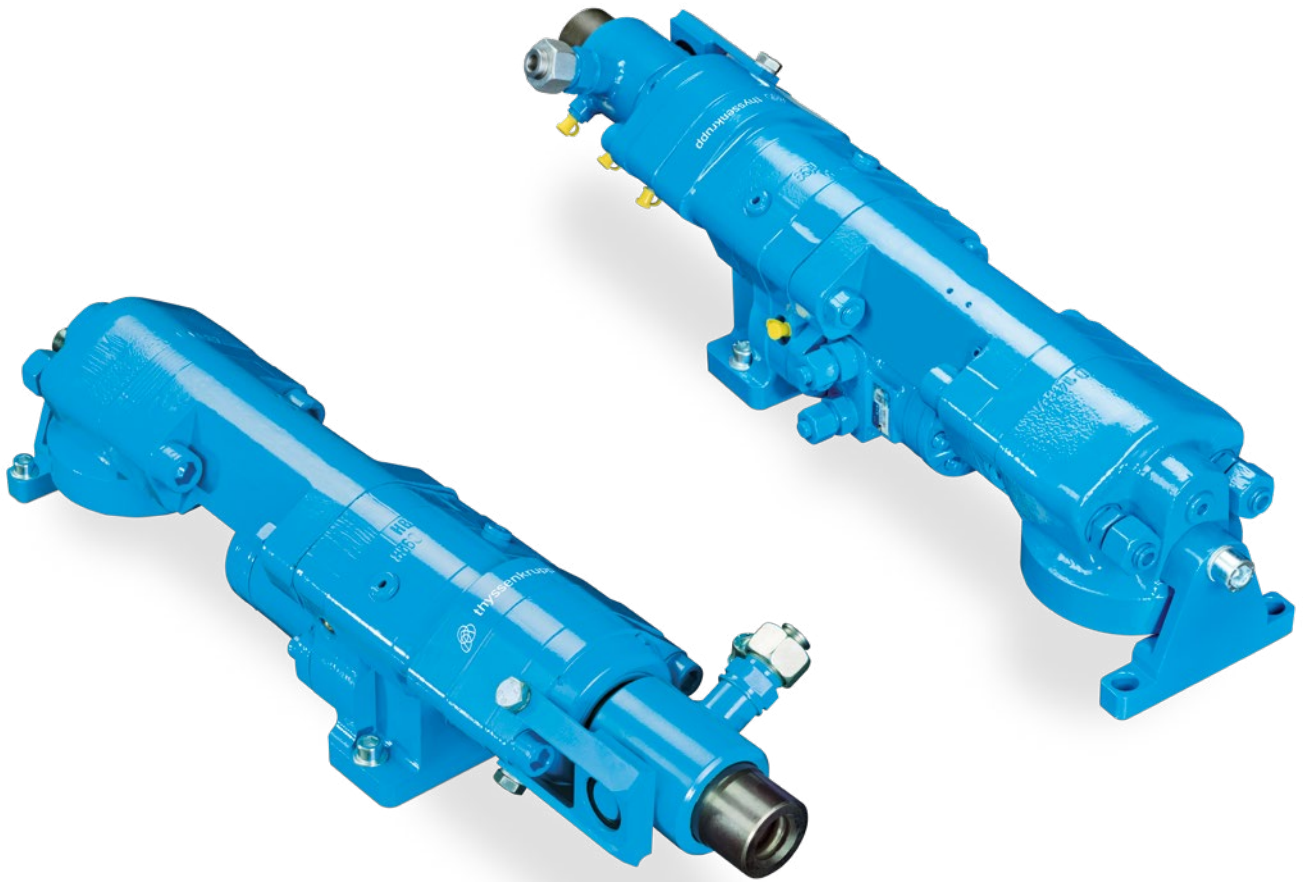
Dimensions



weight approx. 70 kg
retraction force max. 33 kN

weight approx. 60 kg
retraction force max. 33 kN





HB5 drilling in a granite quarry



HB5 nailing in the mountains

Materials Services
Infrastructure

thyssenkrupp Infrastructure GmbH
Alte Liederbacher Str. 6
36304 Alsfeld, Germany
P: +49 6631 781-0
F: +49 6631 781-113
machinery.tkinfrastructure@thyssenkrupp.com
www.thyssenkrupp-infrastructure.com

engineering.tomorrow.together.