



Advanced technology in hard rock crushing

Proven quality – great flexibility – easy operation

In the Kubria® Cone Crusher the material is crushed by compressive forces between the crusher shell and the mantle. Its crushing chamber is designed to customer specifications and can be adapted to new tasks. This design allows a great variety of feed materials and the manufacturing of customized products. The optional Kubriamatic is a compact reliable control and monitoring system especially designed for thyssenkrupp Cone Crushers. Kubria® Cone Crushers are used for secondary crushing.

Features

Optimized crushing chamber

- High throughput rates with high degree of finished product
- Excellent reduction ratio
- Production of material with good cubic shape
- Low operating and wear costs
- Feed opening and geometry of crushing chamber can be simply modified by crushing rings and appropriate adapters

Hydraulic main shaft adjustment

- Electrohydraulic adjustment of crushing gap with optional stroke measurement
- Protection system for automatic tramp release

Optional Kubriamatic system

- Simple check of the wear status of the crushing chamber
- Automatic gap adjustment and control, even under load
- Control and interlocking of all machine parameters and auxiliary systems

Drive concept

- V-belt drive
- Cycloidal toothing of bevel gear for smooth operation
- Good accessibility

Maintenance friendly design

- Easy access to all heavy components from above

Multi-sectional design of main frame shells

- Solid, weight-optimized design

Automatic grease lubrication unit

- Reliable lubrication of upper main shaft bearing

Technical Specification

General data

Materials:	Granite, basalt, iron ore etc.
Maximum feed size:	up to 200 mm edge length
Product size:	0 – 30 mm 0 – 35 mm 0 – 40 mm
Capacity:	0 – 30 mm: up to 200 t/h 0 – 35 mm: up to 230 t/h 0 – 40 mm: up to 250 t/h

Crusher

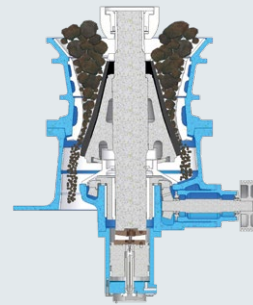
Type of Cone Crusher:	Kubria® 75
Version:	G (Coarse)
Crushing chamber:	optimized according to crushing task
Lower cone diameter:	750 mm
Feed opening (f):	max. 250 mm
Gap setting (Closed Side Setting):	20 – 35 mm
Control and monitoring system:	Kubriamatic (optional)
Main dimensions (l x w x h):	1,660 mm x 1,350 mm x 2,460 mm
Total weight*:	up to 7.2 mt

Drive

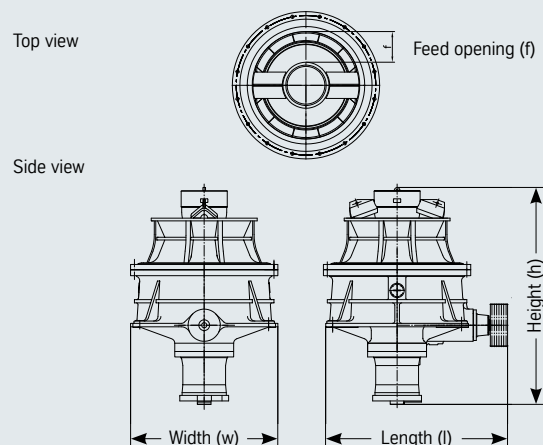
Drive concept:	V-belt
Motor power:	up to 110 kW

*Weights indicated do not include drive unit, electrics, controls and hydraulics

Crushing principle



Main dimensions



Contact

thyssenkrupp Industrial Solutions AG

Graf-Galen-Straße 17

59269 Beckum, Germany

Telefon: +49 2525 99-2997

E-mail: smb.tkis-rt@thyssenkrupp.com

www.thyssenkrupp-crusher.com

Sales representative

© 2018 Product specifications and prices are subject to change without notice or obligation. The photographs and/or drawings in this document are for illustration purposes only. The operation values are considered to be approximate and will be finally determined on the basis of the specific task and the material characteristics. The only warranty applicable to our equipment is the standard written warranty applicable to the particular product and sale and thyssenkrupp makes no other warranty of accuracy, reliability, completeness, merchantability or fitness for any purpose, express or implied. Products and services listed may be trademarks, service marks or trade-names of thyssenkrupp and/or its subsidiaries in Germany and other countries. All rights are reserved.